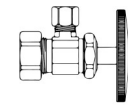


Water

- 3/8" dedicated cold water line with shut-off valve and compression fitting.
- Water hardness 3-6 gpg or 50-100 ppm.
- Line pressure 2-8 bar, 28-112PSI
- Water flow rate Minimum 1 GPM
- Filtration < 1.0 micron
- PH 6.5-8.5
- Max working temp 40C/104F
- Min working temp 10C/50F



Shut off valve



Nema L6-20 (receptacle)

Power

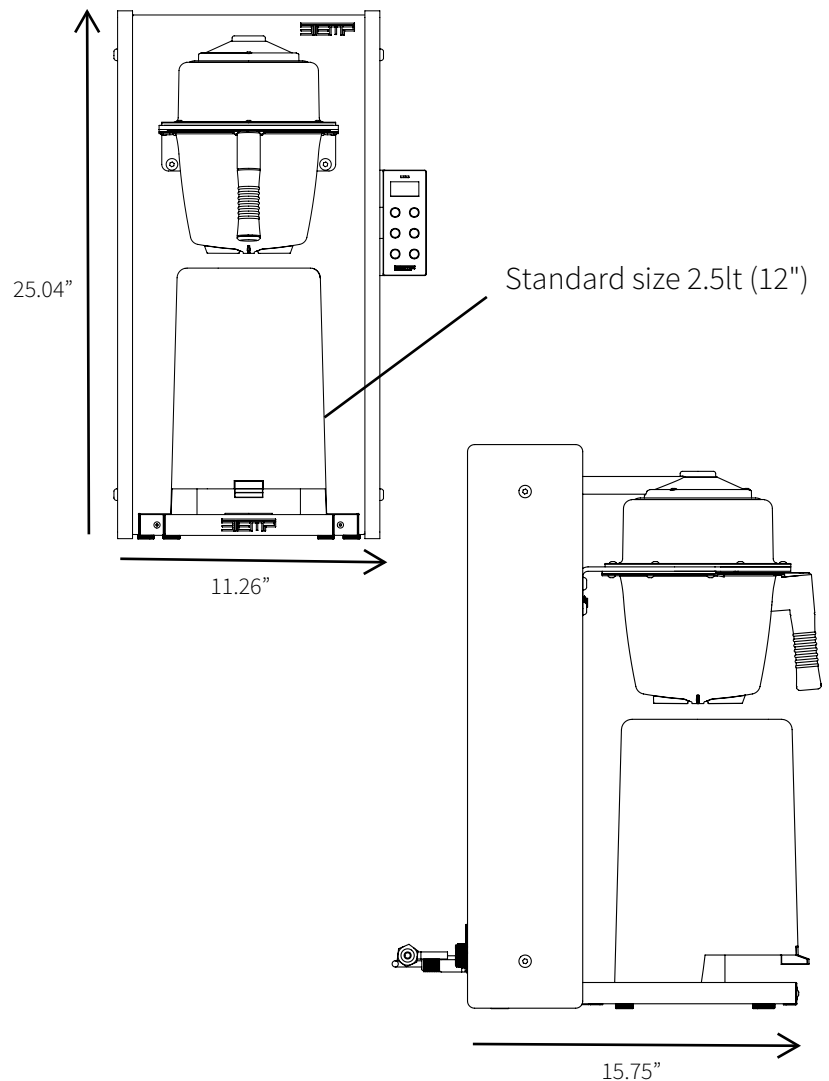
- Volts: 220 (range of 208-240)
- Watts: 2400
- Amp draw: 17
- Receptacle: Nema L6-20
- Outlet needs to be within 3ft

Dimensions

- Height: 25.04 inches
- Depth: 15.75 inches
- Width: 11.26 inches

Photo

- Please attach a photo of the completed worksite.



I, the customer, understand that these requirements must be in when the installer arrives. Failure to have the site ready will result in additional service and travel charges, and may cause further delays in installation.

Customer Name: \_\_\_\_\_ Signature: \_\_\_\_\_

Company Name: \_\_\_\_\_

Phone: \_\_\_\_\_ Email: \_\_\_\_\_ Sales Order: \_\_\_\_\_