



ELECTRIC STEAM TILTING KETTLE



Kettle shown with optional Spring Assist Cover and Draw-off valve

SPECIFICATIONS:

Shall be a Crown Model _____, self-generating, electric tilting kettle. A double wall kettle interior shall form a steam jacket around the lower 2/3 of the kettle. The jacket enclosure shall contain distilled water which is factory sealed. The bottom of the kettle shall be of hemispherical design for superior heat circulation.

The console shall be drip proof, stainless steel clad and shall be supported on all welded, 1-5/8" (41 mm) diameter stainless steel pipe frame and legs fitted with 4 hole adjustable flanged feet for securing to floor.

The kettle shall pivot on a trunnion connected to the tilt mechanism and the out-bore bearing connected to the frame and shall permit the kettle to tilt forward a full 90° for complete emptying. The tilt mechanism shall be self locking for positive stop action.

Construction shall be all welded #4 finish stainless steel, type 304. The interior liner shall be standard stainless steel type 316 for high acid content cooking. The controls shall be integrally mounted and shall include a power switch, thermostat, pilot light, low water light, vacuum/pressure gauge, safety relief valve, and low water shut off. Faucet bracket standard.

The kettle shall be standard with removable elements. The kettle shall operate in a temperature range of 165°F to 285°F (74°C to 140°C) at a maximum pressure of 50 psi (345kPa).

MODEL	CAPACITY	
ELT-20	20 Gallon	76 Liter
ELT-25	25 Gallon	94 Liter
ELT-30	30 Gallon	114 Liter
ELT-40	40 Gallon	152 Liter
ELT-60	60 Gallon	227 Liter
ELT-80	80 Gallon	303 Liter
ELT-100	100 Gallon	379 Liter

OPERATION SHALL BE BY:

Electrically, self-generating closed steam system operating at 50 psi equipped for operation on:

- 208 VAC, 1 phase, 50/60 Hz. (12 to 18 kW only)
- 208 VAC, 3 phase, 50/60 Hz.
- 220 VAC, 1 phase, 50/60 Hz. (12 to 18 kW only)
- 220 VAC, 3 phase, 50/60 Hz.
- 240 VAC, 1 phase, 50/60 Hz. (12 to 18 kW only)
- 240 VAC, 3 phase, 50/60 Hz.
- 380/220 VAC, 3 phase, 4 wire, 50/60 Hz.
- 415/240 VAC, 3 phase, 4 wire, 50/60 Hz

OPTIONAL ITEMS AT EXTRA COST:

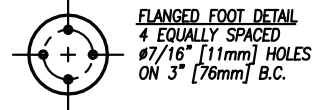
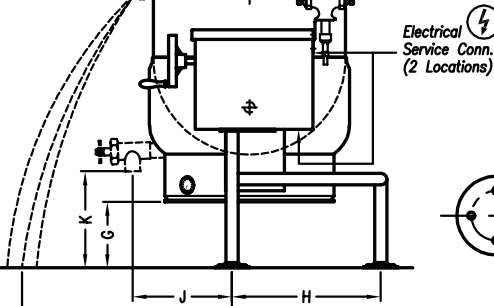
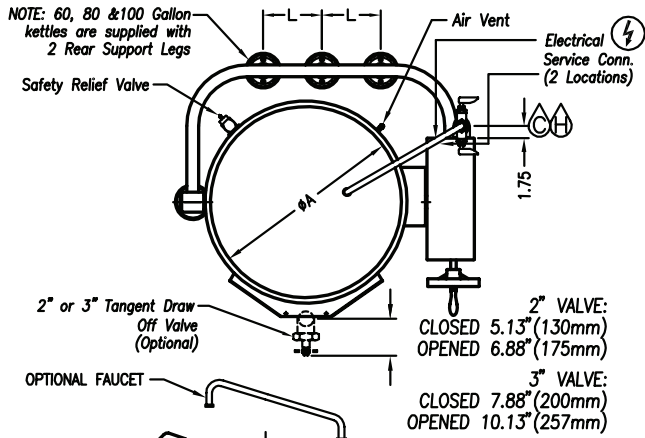
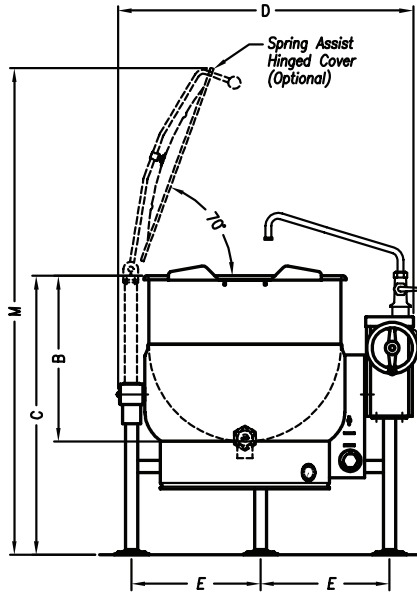
- 380 VAC, 3 phase, 50/60 Hz.
- 415 VAC, 3 phase, 50/60 Hz.
- 480 VAC, 3 phase, 50/60 Hz.
- 600 VAC, 3 phase, 50/60 Hz
- 24 kW on 40, 60, 80 gallon
- 33 kW on 60, 80, 100 gallon
- 2" (50 mm) draw-off valve with perforated strainer (TVT-2).
- 3" (76 mm) draw-off valve with perforated strainer (TVT-3).
- Spring assist hinged stainless steel cover (CH-)
- Etched gallon markings (GM-)
- Etched litre markings (LM-).
- Correctional package
- Solid State Thermostat (SST-E)
- Single pantry faucet with an 18" swing spout (SF-18).
- Double pantry faucet with an 18" swing spout (DF-18).
- Single pantry faucet with 18" swing spout and 68" spray hose and bracket (SF-RSH-18)
- Double pantry faucet with 18" swing spout and 68" spray hose and bracket (DF-RSH-18)
- One piece lift off stainless steel cover (C-).
- Triple basket assembly (TBA-).
- Solid disc for draw off (TSS-).
- Contoured measuring strip (CMS-).
- Strainer hook (SH-)
- Pan support (PC-1).
- Pour lip strainer (TKS-).
- Draw-off valve hose kit (DVHK-).
- Calibrated thermostat dial, "F"
- Calibrated thermostat dial, "C"
- Kettle heat shield (KHS-)

Job _____
Item# _____



Models: ELT-20 ELT-25 ELT-30 ELT-40 ELT-60 ELT-80 ELT-100

MODEL	SHIPPING WEIGHT	MINIMUM CLEARANCE	
ELT-20	296 lbs. [134 kg]	SIDES	0" [0 mm]
ELT-25	300 lbs. [136 kg]		
ELT-30	313 lbs. [142 kg]		
ELT-40	352 lbs. [160 kg]	BACK	0" [0 mm]
ELT-60	417 lbs. [189 kg]		
ELT-80	520 lbs. [236 kg]		
ELT-100	630 lbs. [286 kg]		



SERVICE CONNECTIONS

⚡ – ELECTRICAL CONNECTION : Unless otherwise specified, field wire electrical connection to be 120 volts, 60 Hz, 1 phase with grounding wire. Unit furnished with 6' cord and 3 prong plug. Total maximum amps 4.0.

Ⓒ – COLD WATER: 3/8" (10 mm) tubing to faucet (optional)

Ⓓ – HOT WATER: 3/8" (10 mm) tubing to faucet (optional)

DIMENSIONS

MODEL	CAPACITY	UNITS	A	B	C	D	E	F	G	H	J(2")	J(3")	K(2")	K(3")	L	M
ELT-20	20 gallons (76 liters)	in (mm)	21" (533)	18" (457)	38" (965)	36" (914)	15" (381)	18" (457)	14" (356)	19.25" (489)	14.75" (375)	15.5" (394)	18" (457)	17.5" (445)	N/A	63.5" (1613)
ELT-25	25 gallons (95 liters)	in (mm)	21" (533)	21.25" (540)	37.25" (946)	36" (914)	15" (381)	18" (457)	9.5" (356)	17.5" (445)	12" (305)	13.13" (333)	14.38" (365)	17.13" (435)	N/A	64.62" (1642)
ELT-30	30 gallons (114 liters)	in (mm)	24" (610)	20" (508)	38" (965)	39" (990)	16.5" (419)	19" (483)	12.38" (314)	19.25" (489)	16.75" (425)	17.25" (438)	16" (406)	15.5" (394)	N/A	66.5" (1689)
ELT-40	40 gallons (152 liters)	in (mm)	26" (660)	22.5" (572)	38" (965)	41" (1041)	17.5" (445)	23" (584)	10" (254)	20.25" (514)	17.5" (445)	18.5" (470)	13.5" (343)	13" (330)	N/A	68.5" (1740)
ELT-60	60 gallons (227 liters)	in (mm)	29.5" (749)	26" (660)	42" (1067)	44.5" (1130)	19.13" (486)	24" (610)	11" (280)	22.25" (565)	19.5" (495)	20.75" (527)	14" (356)	13.5" (343)	10.5" (267)	76" (1930)
ELT-80	80 gallons (303 liters)	in (mm)	33" (838)	28" (711)	45" (1143)	48" (1219)	20.88" (530)	27" (686)	12.63" (321)	23.75" (603)	20.25" (514)	21.25" (540)	15" (381)	14.5" (368)	12" (305)	82.5" (2096)
ELT-100	100 gallons (379 liters)	in (mm)	35.5" (902)	29.75" (755)	48.75" (1238)	49.5" (1257)	22.25" (565)	32" (813)	14.5" (368)	25.25" (641)	20.25" (514)	21.25" (540)	18.75" (476)	18.25" (464)	14" (356)	88.5" (2248)

ELECTRICAL CHARACTERISTICS

AVAILABLE kW		
MODEL	STAN-DARD	OP-TIONAL
ELT-[20,25]	12	N/A
ELT-30	15	N/A
ELT-40	18	24
ELT-60	18	24 or 33
ELT-80	18	24 or 33
ELT-100	24	33

AMPS PER LINE								
kW	PHASE	208V	220V	240V	380V	415V	480V	600V
12	1	57.7	54.5	50.0	N/A	N/A	N/A	N/A
	3	33.3	31.5	28.9	18.2	16.7	14.4	11.6
15	1	72.1	68.2	62.5	N/A	N/A	N/A	N/A
	3	41.6	39.4	36.1	22.8	20.9	18.0	14.5
18	1	86.5	81.8	75.0	N/A	N/A	N/A	N/A
	3	50.0	47.2	43.3	27.3	25.0	21.7	21.7
24	3	66.6	63.0	57.7	36.5	33.4	28.9	23.1
33	3	91.6	86.6	79.4	50.1	45.9	39.7	31.8

**INTENDED FOR COMMERCIAL USE ONLY.
NOT FOR HOUSEHOLD USE.**



70 Oakdale Road, Toronto ON, Canada M3N 1V9
(919) 762-1000 www.crownsteamgroup.com