

**Non-corroding poly liners on all models!  
Patented inner SmartGATE® ice shield!**



Model E-SG1300-49D

#### Poly ice access door assembly

- No sharp corners
- Door saves aisle space – only 204 mm (8") deep
- Removes with only 4 screws, no sealant



Safely loosen congealed ice **through** SmartGATE ice shield with optional ice paddle accessory. Released ice remains **behind** SmartGATE ice shield.

Only **SmartGATE** ice shield positively controls ice flow into access door area for increased safety, reduced spillage.

Moderate capacity ice storage bins with industry-exclusive SmartGATE ice shield specifically designed for use with scale icemakers. Stainless exterior includes stainless back and bottom. All bins include stainless tops custom cut for icemaker(s) and 153 mm (6") stainless steel adjustable legs.

#### Range of sizes to meet varied needs

- Three models in widths from 1250 to 1520 mm (49" to 60") and capacities from 600 to 890 kg (1323 to 1962 lbs)
- Extra-deep bins (960 mm (37.8")) specifically designed to accommodate self-contained and remote scale icemakers

#### Industry-exclusive inner SmartGATE ice shield delivers more safety, less spillage

- First ice in is first ice out
- Positively controls ice flow into access door area for easy removal with either scoop or shovel
- Allows loosening of congealed ice without lifting gate for increased safety and reduced spillage
- Locks open in 3 positions
- Returns easily to full down position even when bin is full

#### Durable polyethylene lift doors with PowerHinge™ door hinge

- Doors stay safely open – no door catches
- No sharp corners to injure workers
- Molded-in gasket never needs replacing
- Easy one-hand open and close

#### Poly ice access door assembly

- Withstands heavy abuse in critical area
- Eliminates rusting and corrosion

#### Non-corroding poly liners, top and trim

- Eliminates pitting and staining from released chlorine
- Makes cleaning easy

#### Other quality construction features

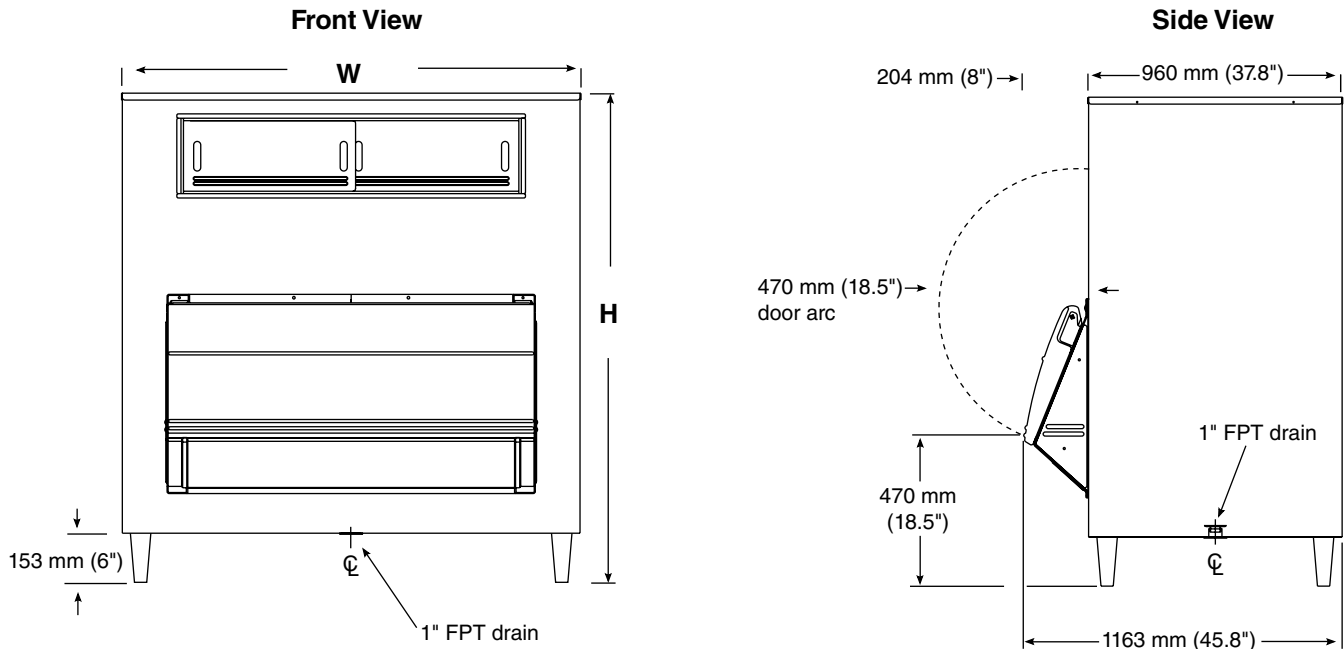
- Heavy-duty welded construction
- Non-CFC foamed-in-place insulation
- Translucent double-wall poly windows
- Stainless tops custom cut for specific icemaker(s)

#### Optional accessories (refer to form# 3435)

- SmartCART™ 75 ice cart with 3 Totes™ ice carriers
- Ice paddle and hanging bracket (item# ABICEPADDL46)
- Plastic shovel (item# ABICSHOVEL)
- Plastic ice scoop, 82 oz (item# ABICESCOOP)
- 254 mm (10") stainless legs (item# 00151647)
- Centered bin partition

JOB: \_\_\_\_\_

ITEM: \_\_\_\_\_



**General notes**

Follett® recommends installation of a floor drain with grate with all ice storage bins.

Model Number	Cubic Volume cu m (cu ft)	Max. Bin Capacity kg (lb) <sup>1</sup>	Width (W) mm (in)	Height (H) with Legs mm (in) <sup>2</sup>	Depth mm (in)	Req'd Door Access mm (in) <sup>3,4</sup>	Approx. Ship Weight kg (lb)
E-SG1300-49D	1.2 (42.5)	604 (1329)	1250 (49.2)	1402 (55.2)	960 (37.8)	1016 (40)	184 (406)
E-SG1600-60D	1.5 (52.5)	746 (1641)	1520 (59.8)	1402 (55.2)	960 (37.8)	1016 (40)	199 (439)
E-SG1950-60D	1.8 (62.4)	886 (1950)	1520 (59.8)	1652 (65.1)	960 (37.8)	1016 (40)	214 (472)

**Notes:**

- 1 Computed on cubic volume of bin. Does not reflect cart capacity or voids that can occur due to pyramiding.
- 2 Not for use with icemakers weighing more than 454 kg (1000 lbs).
- 3 Door assemblies remove easily (4 screws, no sealant) if required for installation access.
- 4 Required clearance for installation access through doors (may require removal of door assembly).

**Warranty**

- The cabinet exterior, including top and trim, and the interior liner will be free of corrosion for five years from the date of installation.
- Doors, inspection windows, ice gates, and all other integral components are covered against defects in material or workmanship for five years from date of installation. Installation date shall not exceed 90 days from date of shipment.
- Ice transport carts, scoops, paddles, shovels, rakes and other accessories are covered against defects in material or workmanship for two years from date of installation. Installation date shall not exceed 90 days from date of shipment.

**Specifications**

Ice storage bin to be Follett model \_\_\_\_\_ with industry-exclusive SmartGATE ice shield. Cubic capacity to be \_\_\_\_\_, to hold approximately \_\_\_\_\_ kg (lbs) of ice. Construction to be welded steel shell and frame. Exterior finish to be stainless steel back and bottom. Bin liner to have non-corroding polyethylene walls and stainless steel bottom. Bin insulation to be non-CFC polyurethane foam, bonded to shell and liner for added structural strength. Bin top to be stainless steel custom cut for specific icemaker(s) to be used. Lower door assembly to include non-corroding poly snout, poly lift door with PowerHinge door hinge to eliminate gasket and latches, and inner SmartGATE ice shield to positively control ice flow into snout area and reduce spillage. Entire lower door assembly to be easily removable for installation through narrow doors. Upper inspection windows to be of molded double-wall plastic to increase durability and minimize meltage and condensation. Bin to have 153 mm (6") legs, adjustable to 191 mm (7.5"). Bin drain to be 1" FPT rigid PVC.

SmartCART, PowerHinge and Totes are trademarks of Follett Corporation.  
 Follett and SmartGATE are registered trademarks of Follett Corporation, registered in the US.  
 Follett reserves the right to change specifications at any time without obligation. Certifications may vary depending on country of origin.