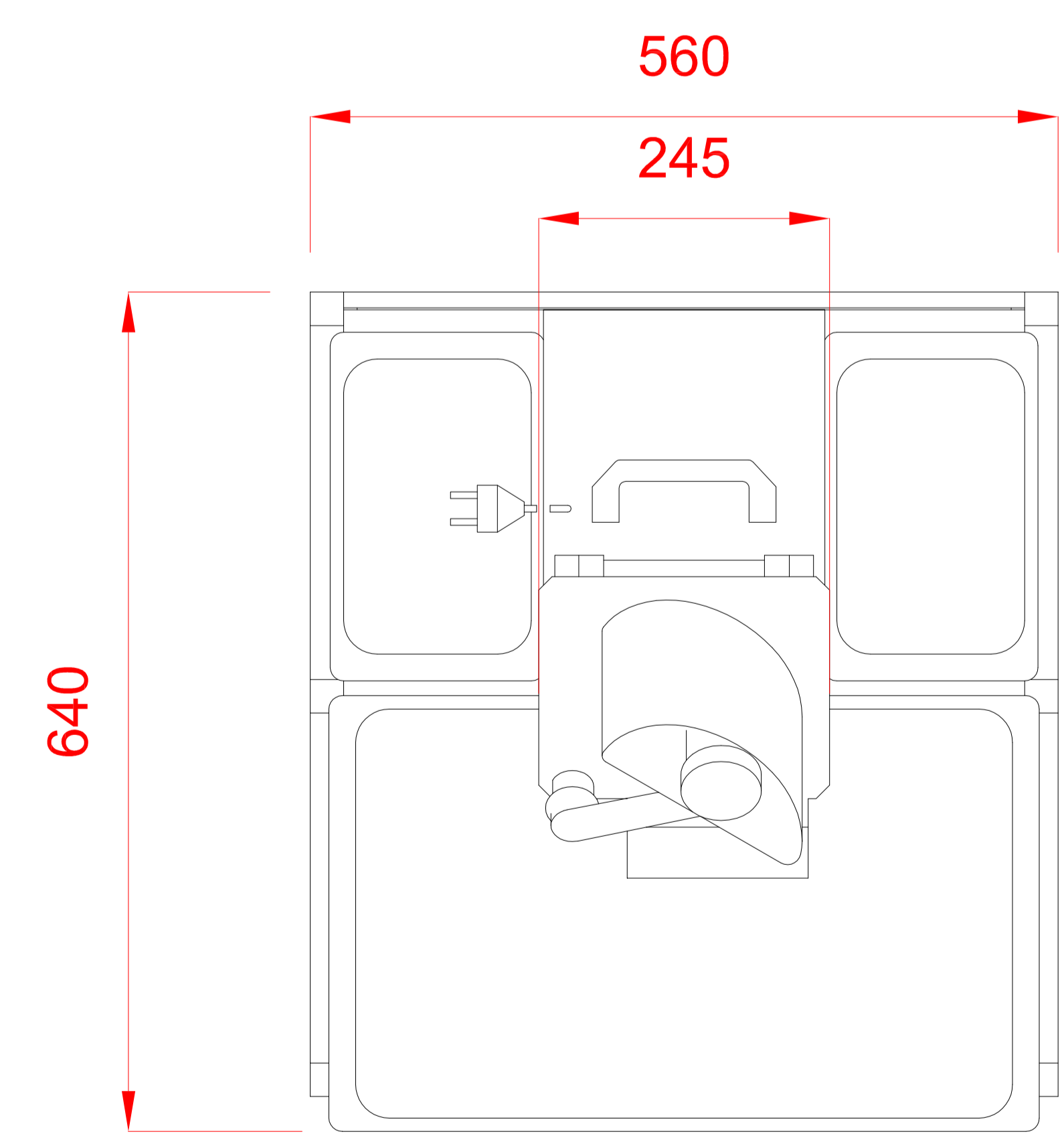
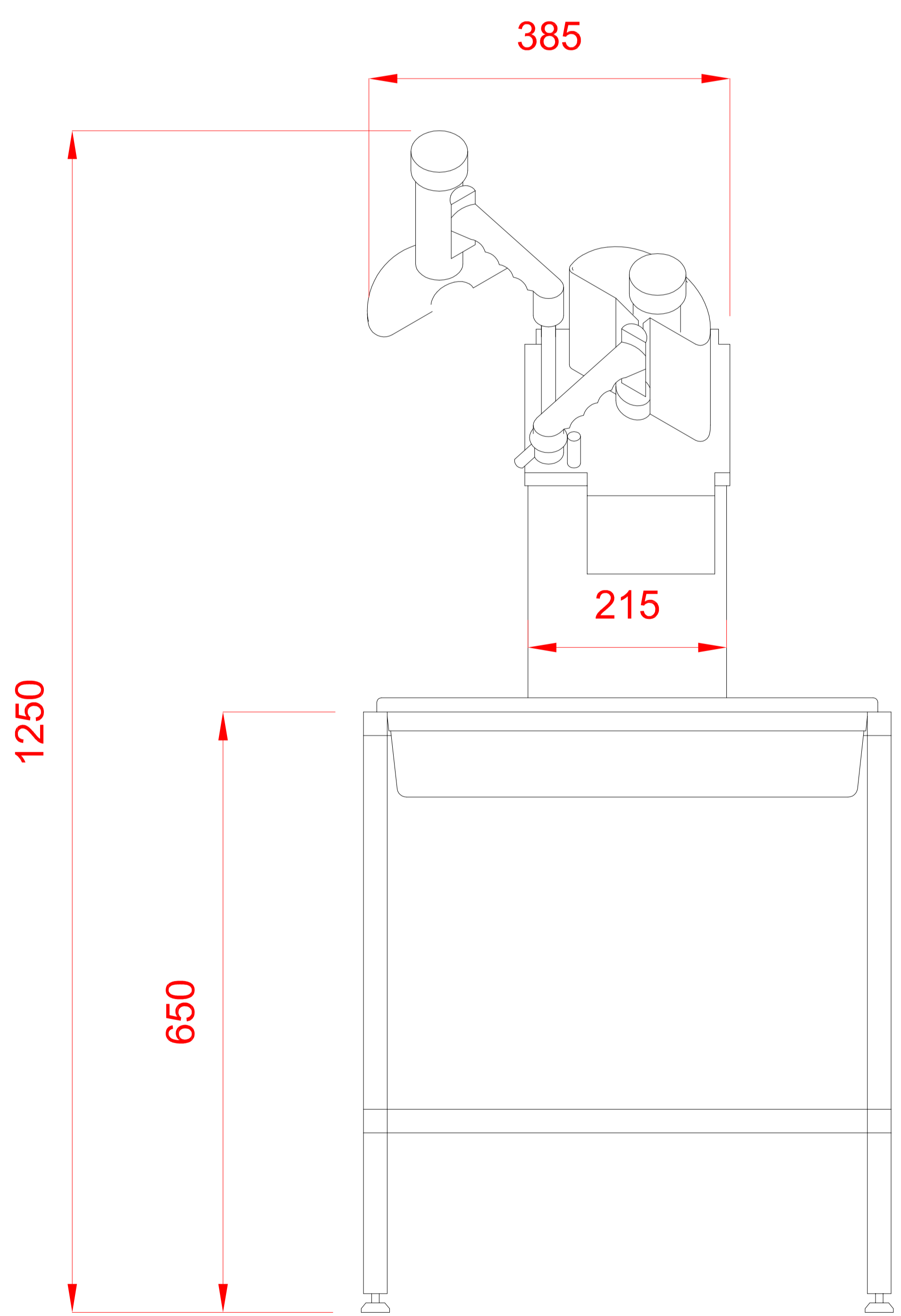
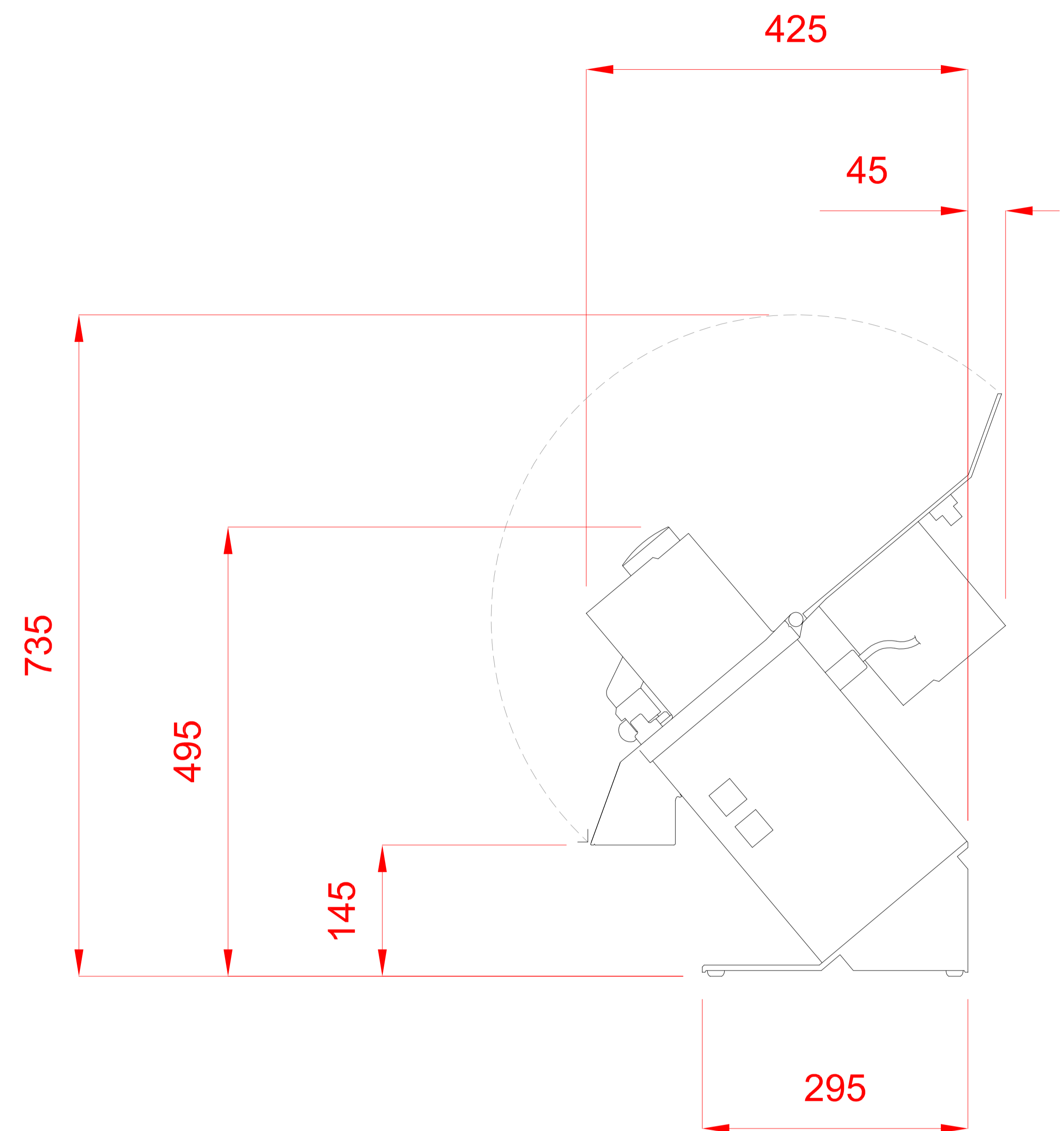
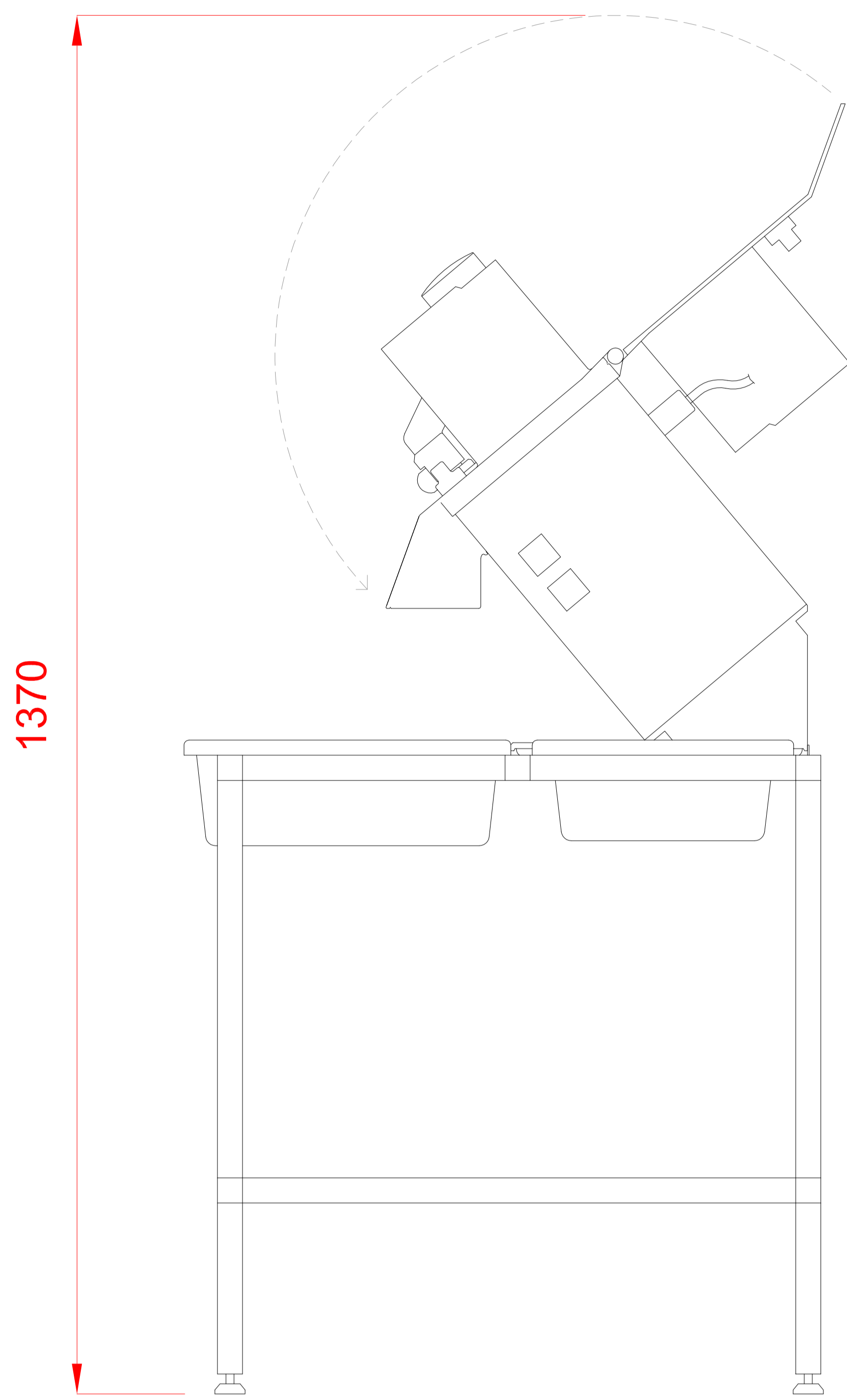


Vegetable Preparation Machine

VPU6-12



Electric Loading

230/50/1 0.25kW

13AMP PLUG WITH 2m OF CABLE

**PLOT SCALE: 1:15**