

Application

- Post-Mix Equipment

BevXpress™ Reverse Osmosis Systems

Spec No. _____

Quantity _____



BEV150

Rated for 150 gallons (567.8 liters) per day
or 6.25 gallons (23.7 liters) per hour

Product Features

- ◆ Compact design utilizes 3/8" quick disconnect fittings, stainless steel bracket, and optional wall mounting.
- ◆ Provides easy adaptation to existing piping, resistance to rust and corrosion, and easy access to tight areas.
- ◆ SQC™ - Sanitary Quick Change encapsulated design reduces contamination during change-outs and are disposable and incinerable.
- ◆ 220V/50Hz and 100V/50Hz are available for international electrical requirements.
- ◆ FDA CFR-21 and/or NSF compliant materials provide peace of mind that this product is suitable for potable applications.
- ◆ Includes a built-in bypass solenoid with compression 3/8" NPT connections.
- ◆ Includes a separate polishing filter for consistent quality water.

The BevXpress™ BEV150 Reverse Osmosis water filtration system is uniquely designed to produce consistent quality beverages and maintain efficient equipment operation in water conditions with high TDS and/or high hardness. The BEV150 RO membrane is designed to reject over 96% of minerals that cause equipment problems and flat or cloudy beverages. Activated carbon and graded density pretreatment protect the RO membrane. The post-treatment filter adjusts the product water to provide mineral content for quality beverages.

Product Specifications

Model Number	Part Number	Voltage Requirements	Capacity	Performance	Application
BEV150	BEV150	110V/60Hz	150 gpd/6.25 gph (567.8 lpd/23.7 lph)	For high TDS conditions	Dual carbonators Medium volume

BEV150-A @ 220V/50Hz, BEV150-B @ 100V/50Hz



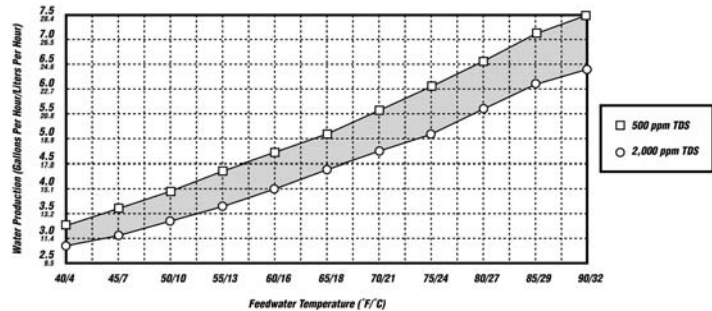
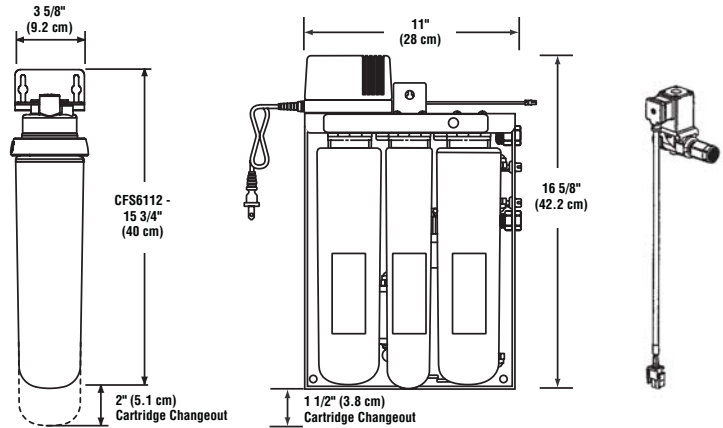
Water Filter Systems
Foodservice

BEV150 BevXpress™ Reverse Osmosis Systems

Spec No. _____
 Quantity _____
 Model Number _____
 Part Number _____

Physical Specifications:

- System to incorporate reverse osmosis technology.
- System to be sanitary in design, requiring no contact with the media during filter change-out.
- System to contain integrated pre- and post-filtration for the reduction of sediment, chlorine taste and odor.
- System to include TDS adjustment filter.
- System to provide better than 96% rejection of TDS.
- System to operate with an integrated booster pump.
- System to contain an integrated automatic bypass.
- System to be manufactured from FDA CFR-21 and/or NSF compliant materials.
- System to be wall-mountable with stainless steel bracket design.
- System inlet and outlet plumbing connections to be 3/8" quick disconnect.
- System to have maximum line pressure of 65 psi (448 kPa) and operating temperature of 100°F (38°C).
- System to include 1 micron polishing filter (125 psi/862 kPa maximum operating pressure, 3/8" NPT connections).



Installation Tips:

- Shut off downstream equipment prior to installation of the system.
- Do not exceed operating parameters for temperature or pressure.
- Do not install outdoors.
- For cold water use only.
- For commercial use only.

For waters over 10 grain hard, a CUNO water softener is recommended for pretreatment. Consult CUNO technical services for correct sizing.

Storage Tank Options

Part Number	Capacity at 60 psi (414 kPa)
55984-05	2.5 gallon (9.5 liter) drawdown
55984-06	5 gallon (18.9 liter) drawdown
55984-07	10 gallon (37.9 liter) drawdown
55984-08	20 gallon (75.7 liter) drawdown
55984-09	40 gallon (151.4 liter) drawdown

Replacement Cartridges

Model Number	Part Number	Type	Qty Required
S	55997-05	Sediment Reduction	1
C	55995-05	Chlorine Taste and Odor Reduction	1
T	55998-05	TDS Adjustment	1
M	55987-09	RO Membrane	1
CFS8112	55817-05	Polishing Filter	1

Limited 5 Year Warranty

CUNO Incorporated warrants to the original purchaser-consumer that this product is free from defects in materials and workmanship. This warranty, together with any and all warranties implied by law, shall be limited to a period of five (5) years from the date of original purchase by the consumer. This warranty does not apply to failures that result from abuse, misuse, alteration or damage not caused by CUNO. This warranty is subject to exclusions and limitations. 5 Year Warranty excludes pumps, motors and transformers. Please refer to the Warranty Card provided with the product for details.

Service Worldwide

China
 CUNO Filtration Shanghai Co. Ltd.
 No. 2 Plant East Side
 Xin Miao San Road
 XinQiao Town SongJiang District
 Shanghai, China 201612

Australia
 CUNO Pacific Pty Ltd.
 140 Sunnholt Road
 Blacktown, N.S.W. 2148
 Australia

Europe
 CUNO Limited
 21 Woking Business Park
 Albert Drive
 Woking, Surrey
 GU21 5JY, England



Japan
 CUNO K.K.
 Hodogaya Station Building 6F
 1-7, Iwai-Cho, Hodogaya-Ku
 Yokohama 240-0023, Japan

Brazil
 CUNO Latina Ltda
 Rua AMF do Brazil - 251
 18120 Mairinque-SP, Brazil

Singapore
 CUNO Filtration Asia Pte Ltd
 18 Tuas Link 1
 3rd Floor
 Singapore 638599

CUNO Incorporated
 400 Research Parkway
 Meriden, CT 06450, USA
 Toll Free: 1-888-218-CUNO
 Worldwide: 203-237-5541
 Fax: 203-238-8701