



Countertop Gas Griddle

Models BPXP-GGM-18i BPXP-GGM-24i
 BPXP-GGM-36i BPXP-GGM-48i

PRODUCT:

QUANTITY:

ITEM:

Designed Smart

Increased Performance

- Fast start-up to prime cooking temperatures
- Provides fast recovery and the ability to handle a variety of foods
- Openings in the front allow the pilot light to be easily lit and adjusted without removing the front panel

Safety Features

- Bull-nose front extension protects employees from burns

Saves Time and Clean-up Labor Cost

- Maintenance is easier with bottom-mount grease collection pan
- Field convertible and adjustable gas regulator



Bakers Pride Design Features

- 1" (2cm) flat polished "hot rolled" steel griddle plate
- 3" (7.6) stainless steel backsplash; sloped side splashers
- Front access panels for easy adjustment
- Extended bull-nose front
- Heavy-duty 4" (10.2cm) heat-resistant, adjustable legs
- Field convertible gas regulator
- Smooth action, infinitely adjustable gas valves turn 180 degrees, giving the operator ultimate control
- Viewable standing pilot. Safety pilot available
- Pilot can be lit without removing front panel
- Built-in rear flue
- Gas connections use 3/4" NPT pipe
- 4" x 1" (10.2 cm x 2.5 cm) grease chute drains into grease drawer
- Stainless steel grease collector pan

Options & Accessories

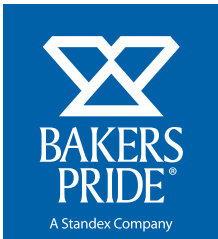
- High altitude versions are available (contact factory)
- Safety pilot

- Certified by the following agencies:



*Warranty does not include rock grates, cooking grates, burners shields or fireboxes.

See reverse side for product specifications.



Countertop Gas Griddle

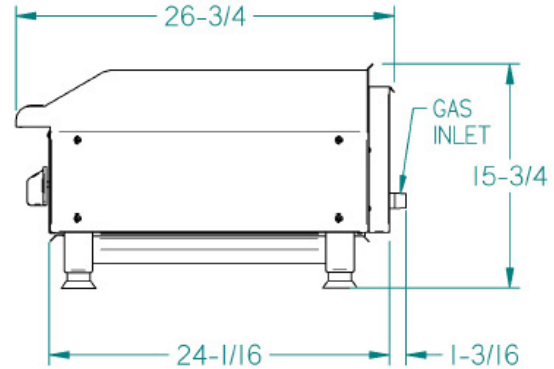
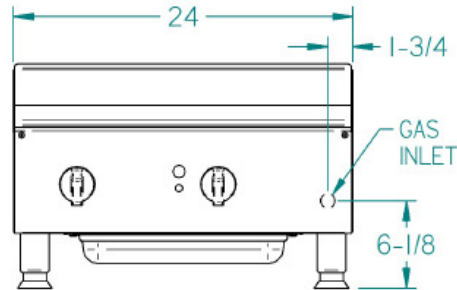
Models □ BPXP-GGM-18i □ BPXP-GGM-24i
□ BPXP-GGM-36i □ BPXP-GGM-48i

PRODUCT:

QUANTITY:

ITEM:

BPXP-GGM-24i



PRODUCT SPECIFICATION

Construction:

Stainless steel top skirt, grease trough, grease collector drawer, and front panel. Aluminized steel sides and back panel. 4" adjustable legs. Welded construction. Field convertible and adjustable gas regulator.

Gas Specifications:

- BPXP-GGM-18i: 1 "S" burner, total 37,500 BTU/hr. One manual control. (Propane is 33,750 BTU/hr.)
BPXP-GGM-24i: 2 "U" burners, 25,000 BTU/hr. each. Total 50,000 BTU/Hr. input. Two manual high-low controls. (Propane is 45,000 BTU/hr.)
BPXP-GGM-36i: 3 "U" burners, 25,000 BTU/hr. each. Total 75,000 BTU/Hr. input. Two manual high-low controls. (Propane is 67,500 BTU/hr.)
BPXP-GGM-48i: 4 "U" burners, 25,000 BTU/hr. each. Total 100,000 BTU/Hr. input. Two manual high-low controls. (Propane is 90,000 BTU/hr.)

Cooking Surface:

- BPXP-GGM-18i: 19 1/2" D x 17 3/4"W
BPXP-GGM-24i: 19 1/2" D x 23 3/4"W
BPXP-GGM-36i: 19 1/2" D x 35 3/4"W
BPXP-GGM-48i: 19 1/2" D x 47 3/4"W

Overall Dimensions:

- BPXP-GGM-18i: 15 3/4" H x 18" W x 26 3/4"D
BPXP-GGM-24i: 15 3/4" H x 24" W x 26 3/4"D
BPXP-GGM-36i: 15 3/4" H x 36" W x 26 3/4"D
BPXP-GGM-48i: 15 3/4" H x 48" W x 26 3/4"D

***NOTE: Regulator and pipe add 4 1/4" to the rear of the unit.**

Shipping Information:

- BPXP-GGT-18i: 193 lbs.
BPXP-GGT-24i: 247 lbs
BPXP-GGT-36i: 356 lbs
BPXP-GGT-48i: 416 lbs

Freight Class: 85

FOB: Allen, TX 75013

*Bakers Pride reserves the right to modify specifications or discontinue models without incurring obligation.