



# MODEL R36S SERIES

## 36" Electric Range



Model R36S

### OVEN BASE DESCRIPTION

Range with oven shall be a LANG Manufacturing Model R36S. A 36" wide heavy duty electric heated unit with standard oven base and 21kW total power input; all stainless steel exterior; fully insulated oven with aluminized steel interior, heavy-duty drop down door and one chrome plated oven rack standard; individual oven and cook-top component controls; plus all the features listed and options/accessories checked:

**[Specify one]**

- ATA with 24" wide griddle and 2 ea. 8" diameter French Plates;
- ATB with 3 ea. 12" x 24" x 3/4" thick Hot Plates;
- ATC with 2 ea. 8" diameter French Plates and 2 ea. 12" x 24" x 3/4" thick Hot Plates;
- ATD with 36" wide griddle;
- ATE with 6 ea. 8" diameter French Plates;
- ATF with 12" x 24" x 3/4" wide Hot Plate and 4 ea. 8" diameter French Plates

### CABINET BASE DESCRIPTION

Range with oven shall be a LANG Manufacturing Model R36S. A 36" wide heavy duty electric heated unit with 15kW total power input; all stainless steel exterior with enclosed cabinet base for storage; individual oven and cook-top component controls; plus all the features listed and options/accessories checked:

**[Specify one]**

- ATA with 24" wide griddle and 2 ea. 8" diameter French Plates;
- ATB with 3 ea. 12" x 24" x 3/4" thick Hot Plates;
- ATC with 2 ea. 8" diameter French Plates and 2 ea. 12" x 24" x 3/4" thick Hot Plates;
- ATD with 36" wide griddle;
- ATE with 6 ea. 8" diameter French Plates;

### CONSTRUCTION FEATURES

- One piece, 430 Series stainless steel exterior w/No. 4 finish
- 6" adjustable legs [standard]
- Full width 2" high-range top back riser
- 3" wide full width front grease trough w/full length spillage drawers
- 6" wide full width plate landing
- Configurations include a one piece splash guard, back and sides

**[Oven Models Only]**

- 12" high cooking compartment is aluminized steel
- Insulation on six sides
- Heavy-duty, hinge-down oven door
- Adjustable oven rack with slide support
- Provided one chrome-plated oven rack

### PERFORMANCE FEATURES

- Two piece unit fits 36" wide door
- Full front grease trough, drain & spillage drawers ease cleanup
- Full front landing simplifies speeds plating
- Separate & Independent controls allow simultaneous multi-function cooking
- Choice of cook top options:
  - 24" wide 3/4" thick griddle & 2 8" ea. diameter French Press
  - 36" wide 3/4" thick griddle
  - 3 ea. 12" wide Hot Tops
  - 6 ea. 8" wide diameter French Plates
  - 2 ea. 8" diameter French Plates & 2 ea. 12" wide Hot Plates
  - 12" wide 3/4" thick griddle & 4 ea. diameter French Press

### CONTROLS

- [ATA] One thermostat per 12" of griddle [2] & two 6-heat level switches
- [ATD] One thermostat per 12" of griddle [3]
- [ATB] Three thermostats
- [ATE] Six 6-heat level switches
- [ATC] Two thermostats & two 6-heat level switches
- [ATF] One thermostat for griddle & four 6-heat level switches

**[Oven Models Only]**

- Oven thermostat
- Two, 3-heat switches for oven
- 60 min timer

### STANDARD PRODUCT WARRANTY

- Two year, parts & labor

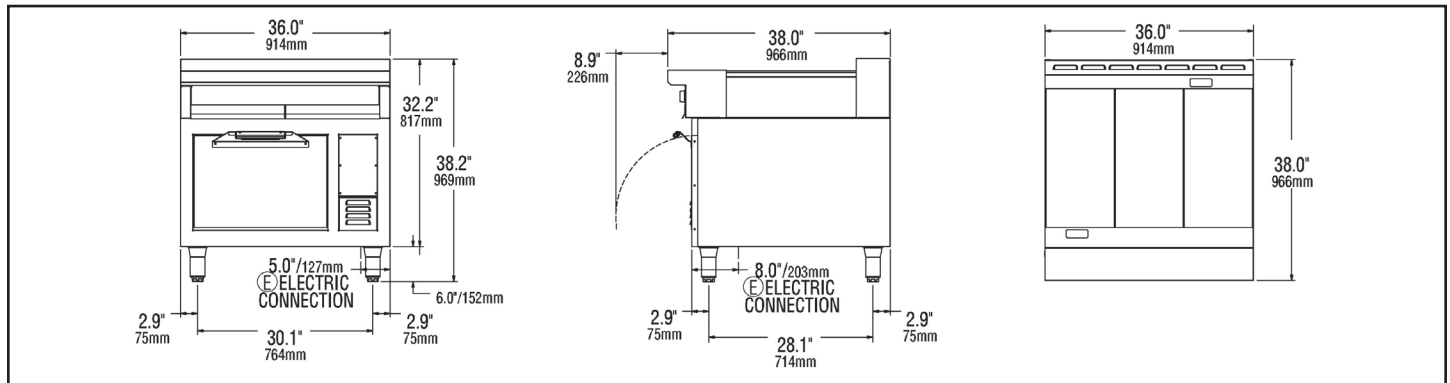
## INSTALLATION REQUIREMENTS

- Unit is shipped in two pieces: cook top & oven base
- Single 208/240V, 1/3-Phase; or 480V, 3-Phase electrical connection
- Installation under approved vent hood required. Consult local codes.  
[Power connection from bottom. See below.]

## OPTIONS & ACCESSORIES

- Substitute 1" thick griddle plate for grooving [12", 24" & 36" wide]
- Grooving on [1" thick only] Range Griddle Plate
- Clamshell Hood installed over griddle on 36" Series Range
- Split voltage to connect 208V or 240V/1-Phase Clamshell to 480V Range
- Substitute open coil unit for French Plates [208/240V only]
- 480V, 3-Phase model
- Set of 6" casters: two locking & two fixed
- High storage rack [for mounting above 36" Range]
- Extra wire pan rack [one provided as standard]
- 6" or  12" wide Top Spreader and Front Enclosure

Model	R36S ATA	R36B ATA	R36S ATB	R36B ATB	R36S ATC	R36B ATC	R36S ATD	R36B ATD	R36S ATE	R36B ATE	R36B ATF
Unit Base	Oven	Cabinet	Oven	Cabinet	Oven	Cabinet	Oven	Cabinet	Oven	Cabinet	Oven
Griddle	24" wide		-		-		36" Wide		-		12" Wide
French Plates	2 each		-		2 each		-		6 each		4 each
Hot Plates	-		3 each		2 each		-		-		-
Pictogram											



Model	H x W x D	Clearance	Weight		Freight Class
			Actual	Shipping	
R36S	38.2" x 36.0" x 38.0" 970mm x 914mm x 966mm	Sides: 4" Back: 4"	235-490lbs* 107-223kg	285-540lbs* 130-245kg	85

Model	Electrical Requirements							
	Voltage		Total kW		Phase		Amps/Line	
	Unit Base	Total	Oven	Top	Oven	Top	Oven	Top
R36S	208V/60Hz	21	6	15	1	1	101.0	72.1
	240V/60Hz				1	1	87.5	62.5
	208V/60Hz				3	3	66.7	41.7
	240V/60Hz				3	3	57.8	36.1
	480V/60Hz				3	3	28.9	18.1

## CAD SYMBOLS & PRICING

Sheet No. R36S [rev. 06/15]



AutoQuotes

