

WAREWASHING  
GLASSWASHER



# PROFI GX

EFFICIENT - RELIABLE - INNOVATIVE



 made in germany

## MADE IN GERMANY

„Made in Germany“ has been synonymous with quality and reliability in the premium segment for a long time and still is today. A company can only maintain its hold on the market by keeping its promise to continually deliver high quality.

## WORLDWIDE

Whether you need a completely new kitchen or a replacement item our competent subsidiaries and partners all over the world would be pleased to support you. It's nice to know we are always there.



1883 Mr. Charles Clarence Hobart builds his first engines and generators in Middletown, Ohio.

1886 J.C. Cochran receives the patent for the first dishwasher.

1897 The HOBART ELECTRICAL MANUFACTURING COMPANY was founded in Troy Ohio, through the acquisition of the engine and generator factory of the HOBART family.

1903 HOBART builds the first food processor (a self-contained powered coffee mill).

1926 HOBART purchases The Crescent Washing Machine Company, and enters the commercial warewashing market: the first warewashing machine carrying a HOBART label.

1930 Foundation of the HOBART MASCHINEN GESELLSCHAFT in Hamburg, Germany.

1953 HOBART receives the patent for the first flight-type dishwasher.

1960 Acquisition of the dishwashing department of the company K. Martin, Offenburg, Germany.

1980 Production plant in Elgersweier, Germany, was newly built.

1986 PREMARK INTERNATIONAL GROUP was formed in Deerfield, Illinois.

1997 HOBART CORPORATION'S 100th anniversary.

1999 Integration of PREMARK into ITW.

2007 HOBART presents its new dishwasher generation PREMAX.

# PROFI GX

EFFICIENT – RELIABLE – INNOVATIVE

## HOBART PHILOSOPHY

### UNDERSTAND – SIMPLIFY – FOCUS – INNOVATE

This philosophy provides the continuing motivation to develop innovations, which are the best driver of economic development and a guarantee for job security. It is a philosophy of the essential, of customer value, of simplicity. A philosophy built on the conviction that things created for a purpose and with logic, do not need to be completely renewed, but must instead be subject to continuous evolution.

## HOBART VISION

### “WASH WITHOUT WATER“

Before PREMAX, a flight-type dishwasher with a 50% water saving would have been utopia. At HOBART, efficiency and responsible use of natural resources when developing new machines have always gone hand in hand. With PREMAX, the company has set a further milestone, and has further extended its leadership in innovation. But even so, HOBART is not satisfied with this. The company will not diminish the pace of its innovation, and will look for further opportunities to save even more. When the day arrives that a machine is able to wash without water, we already know, it will be a PREMAX.

## HOBART FOCUS

### INNOVATION

Without the readiness to invest in the future, without the natural reaction of always questioning ourselves, without interdisciplinary basic research and consistent customer focus, PREMAX would be inconceivable. Worldwide, over 300 research and development engineers and global marketing teams, who identify customer requirements, as well as the company's own Tech-Center, with over 1,000 patent applications annually, develop innovative technology and make PREMAX possible.

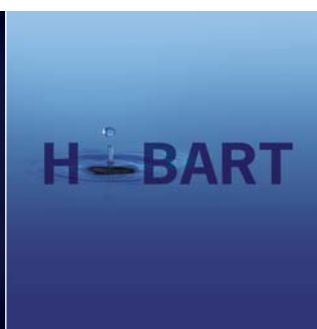
### ECOLOGY

The HOBART environmental protection program CO<sub>2</sub>NSEQUENT has been in existence for some time. The program includes a large number of measures that are all related to protecting the environment. These measures are implemented in production, purchasing, the development and sale of products and in additional projects.

### ECONOMY

Already in the early 1980s our E-formula set standards in energy saving and recovery which are still unique today. This innovative spirit found its fulfillment in the PREMAX line. The PREMAX flight-type dishwasher saves up to 50% water, 30% energy, and 80% chemicals in comparison with conventional technologies, making HOBART a model in terms of efficiency and economy.

made in germany



1

2

1 "A water consumption of 2.5l but still a perfect wash result. It makes you enjoy dishwashing. To HOBART!"

2 "My dishwasher is like my Daimler. Robust and reliable. The door lock mechanism is the best: soft and noiseless."

3 "Every dishwasher has got a filter. But one filter isn't necessarily as good as the other. The HOBART filter is self-cleaning and in addition it has a pre-wash function."

4 "Colours are understandable all over the world. That's why we have decided on a HOBART single button machine. It works just the same way as our hood-machine in the kitchen."

3

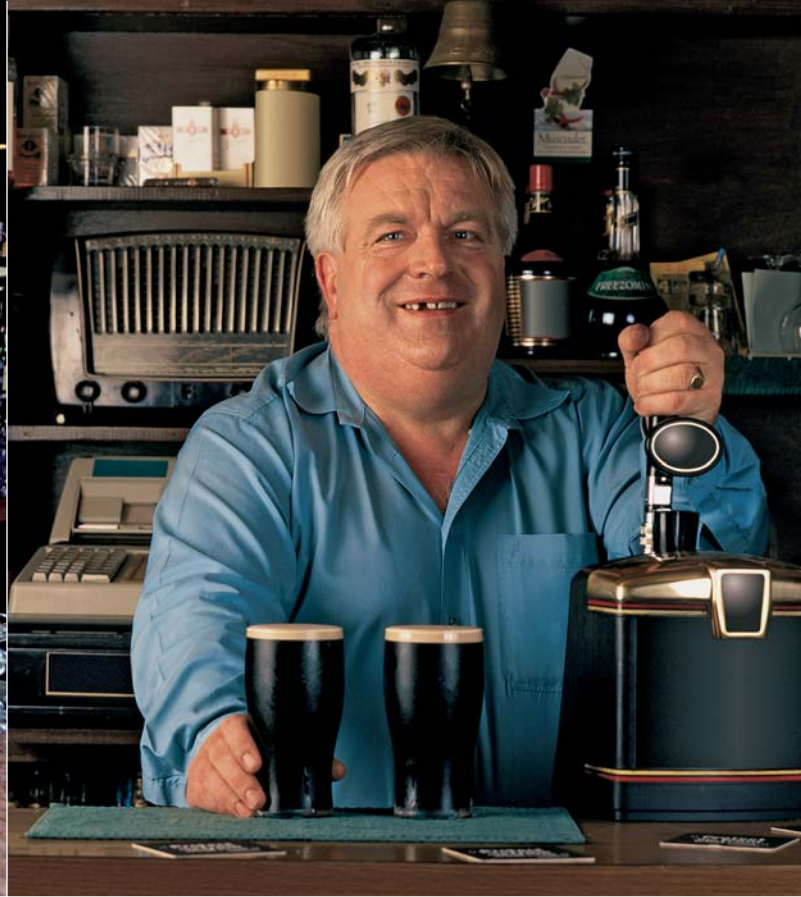
4

Enrico Schulz,  
Hotel Bar  
Bergen auf Rügen, Germany

Patrick O'Hara,  
Irish Pub,  
Cork, Ireland

Carlos Martinez  
Bar Lounge  
Madrid, Spain

Jun-Zen Can,  
Restaurant  
Bangkok, Thailand



## 1 | WASH RESULT

**PATENT  
PENDING**

### FINE FILTER SYSTEM GENIUS-X<sup>2</sup>

Permanently clean wash water is the key requirement for an optimal wash result with less detergent and water consumption. In the next generation GENIUS-X<sup>2</sup> fine filter system, the wash water is continuously led through a system of filters. During the wash cycle the majority of soil particles are removed during the first phase of draining. Any remaining soil particles are retained in the filter and are then removed during the second stage of draining, just before the final rinse. The tank water is then replenished with 2,5 liters of fresh hot rinse water. This optimal regeneration ensures a perfect wash result. The GENIUS-X<sup>2</sup> cleans itself during the draining phase. GENIUS-X<sup>2</sup> helps to reduce water usage by up to 30 %.

### STRAINER CONTROL SYSTEM PROOF

An efficient filter system is useless if it is not in the right position. The strainer control system PROOF has an interlock which is continuously monitored by the SMARTRONIC control. The wash cycle can only be activated if the filter is correctly positioned.

### RINSING AQUA-PLUS

The rinsing of higher glasses or glasses of critical shape makes high demands on the final rinsing. The separately selectable programme AQUA-PLUS rinses the glasses with an increased quantity of fresh water.

## HYGIENIC – CLEAN – ECONOMICAL



The fine filter system GENIUS-X<sup>2</sup>, with integrated pre-washing process, filters the wash water continuously and then pumps out the soil particles.


### RINSE SYSTEM ACCURINSE

Ensuring constant temperature and volume of clean rinse water is vital to achieve not only clean, but hygienically clean tableware. The HOBART system “pulls” rather than “pushes” the rinse water through the booster and is totally independent of flow pressure on site thus preventing any mixing with incoming cold water. The ACCURINSE system delivers precisely 2.5 l of fresh water at a constant 65°C+ every cycle to ensure perfect hygiene standards. In addition the precision of ACCURINSE saves up to 30% water, energy, detergent and rinse aid.

### HEAT ELEMENT ECOTHERM

A consistently high wash temperature extracts maximum cleaning performance from the wash water. ECOTHERM, using just 1kW of energy, ensures a constant 55°C even during continuous use. The extra heat absorbed by the washed ware also improves the drying result.

### RINSING HOT COLD (OPTIONAL GX HK)

Dishes and wine glasses should come out of the dishwasher dry, beer and softdrink glasses preferably cool. With the HOT  COLD rinse, both is possible. The rinse can be switched from HOT to COLD anytime, without waiting time. The cold rinse cools the glasses after the hot wash cycle. The glass is ready for use immediately and beer will keep a steady, finely porous foam. The hot rinse improves the self drying process.

## SAFE – CONSTANT – MORE



The wash cycle can only be activated if the filter is correctly positioned.

# HOBART

## 1 | WASH RESULT

### WASH SYSTEM ROTOR

The separated and rotating wash and rinse arms of the HOBART wash system ROTOR guarantee a good wash result. The arms, driven by the waterpressure distribute the suds and the rinsing aid evenly in the total interior. The rotation produces an additional dynamic washing mechanism.

**PATENT  
PENDING**

### WIDE ANGLE NOZZLE FAN

Washing efficiency depends largely on the distribution of the wash water and on avoiding any masked areas. Spraying angles and the precision of the wash jets are vital factors in achieving a powerful, searching wash action and the HOBART designed nozzles FAN provide a substantially broader and more precise spraying pattern. Compared with conventional and fixed wash arm systems the wash water is disturbed more efficiently, masking is avoided and the wash result, especially in the corners, is considerably improved.

## EVERYWHERE – CONSTANT



The wash system ROTOR increases the safety reserves and guarantees a constant wash result.



The wide angle nozzle FAN avoids spray shadows and improves the wash result.



# PROFI GX

EFFICIENT – RELIABLE – INNOVATIVE

## 2 | HANDLING

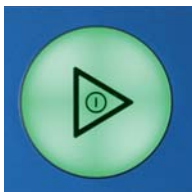
**PATENT  
PENDING**

### SINGLE BUTTON SMARTRONIC

In any busy establishment the dishwasher must be easy to operate and customers tell us that having simple, understandable controls is of big importance. The SMARTRONIC control with single button operation indicates the machine status in clear, self explanatory colours. Only the essential functions such as filling and heating, washing and rinsing, ready for use, and draining are indicated. Incorrect operation and misuse are almost eliminated and additional functions can be accessed as required.

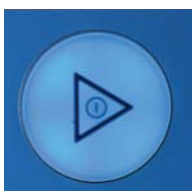
### WATER SOFTENING SYSTEM NONSTOP

Limescale is a major cause of poor wash results and machine problems. Deposits build up on machine parts, in the boiler and on heating elements reducing efficiency, increasing running costs and causing failures. Detergent performance is also significantly reduced. The optional NONSTOP integral water softening system provides continuously and automatically soft water production and eliminates the downtime or extended programme times typically associated with other integral softener systems. The dishwasher, and in particular, the heating elements are maintained in optimum working order for efficient performance.



THE STARTER shows the current operation status in self-explanatory colours:

ready for operation



washing

## 3 | RELIABILITY

### SOFT START PROTECT

PROTECT eliminates the “shock” applied to the soiled ware and system when the wash pump is activated. Full wash power is delivered after a few seconds but noise emissions are reduced, delicate ware is protected and there is less stress applied to machine components.

### QUALITY

A commercial dishwasher is used up to 85.000 times during its lifecycle. To HOBART reliability is no coincidence: therefore, our machines are repeatedly exposed to daily requirements, in order to guarantee performance after progressive use. For example the door is opened and shut more than 100.000 times.

### DRAIN PUMP

The drain pump, a standard fitting, drains the waste water into any effluent with a maximum height of 1m.

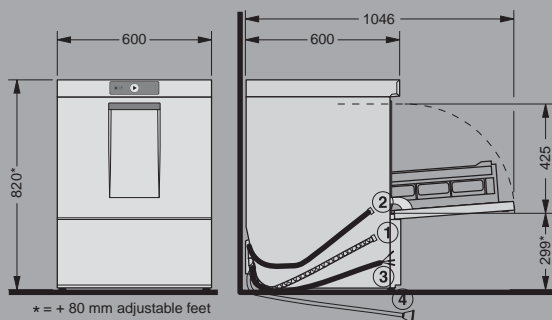
### MULTI-PHASING

Multi-Phasing allows the operation of the same machine either at 230V or 400V. According to the local situation the phasing can be changed by simple plugging, possible at any time

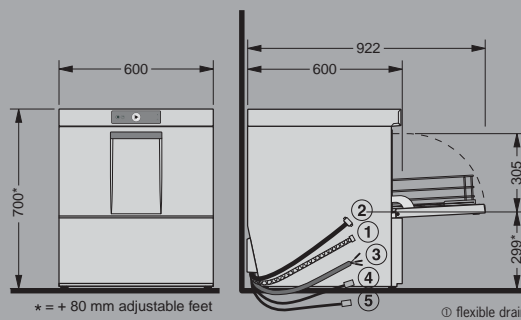
## EASY – INTELLIGENT

Little sister: GX low body with 700 mm height fits in every counter – even with little space.





GX/GX-HK



GX low body

- ① flexible drain hose
- ② fresh water connection
- ③ power cord
- ④ hoses for detergent (optional)
- ⑤ rinse agent

## 4 | TECHNICAL DATA

MODEL	GX	GX-HK HOT & COLD RINSE	GX low body
<b>Cycle times</b> in sec. [ 1 ]			
with 400 voltage 60/90/120	60/90/120	60/90/120	60/90/120
with 230 voltage 60/90/120	60/90/120	60/90/120	60/90/120
<b>Capacity with 400 voltage</b> [ 2 ]			
Racks / h 60	60	60	60
Glasses / h 2.160	2.160	2.160	2.160
<b>Capacity with 230 voltage</b> [ 2 ]			
Racks / h	60	60	60
Glasses / h	2.160	2.160	2.160
<b>Tank volume</b> litres	10,8	10,8	10,8
<b>Fresh water consumption per cycle</b> litres	2,5	2,5	2,5
<b>Total loading</b> kW			
with 400 voltage	7,7	6,8	7,7
with 230 voltage	3,6	3,2	3,6
<b>Dimensions</b> in mm			
Width	600	600	600
Depth	600	600	600
Height	820	820	700
Loading height	425	425	305
Rack size	500 x 500 500 x 530	500 x 500 500 x 530	500 x 500 500 x 530
<b>Features</b>			
Rinse aid dispenser	✓	✓	✓
Detergent dispenser	✓	✓	✓

## WATER TREATMENT

### WATER SOFTENING SYSTEM

to protect against calcium deposits

Mod. SE output 1,600 litres at 10° d (total hardness)

### PARTIAL DESALINATION CARTRIDGES

for sparkling wash results when the raw water contains minerals

Series TE output of 7,000 to 16,000 litres at 10° d (carbonate hardness)

### FULL DESALINATION CARTRIDGES

for sparkling wash results when the raw water has a high mineral content.

Series VE output of 7,000 litres at 10° d (total hardness)



[ 1 ] The machine is equipped with an automatic cycle-time control in order to achieve a hygienic rinse temperature even for cold-water utilities or reduced heating performance..

[ 2 ] Theoretical performance

[ 3 ] Multi-Phasing allows the operation of the same machine either on 230 V or 400 V. The change is done by simple plugging on site when installing the machine.



WAREWASHING  
GLASSWASHER

**PROFI GX**

**EFFICIENT – RELIABLE – INNOVATIVE**

## BRILLIANCY FOR ALL KINDS OF GLASSES

Every complaint about spots on glasses, cutlery and saucers is one complaint too much. Every minute your personnel have to polish the kitchen ware is a minute too much. Lipstick on glasses, as well as sediments of juices is a problem difficult to solve.

With our innovative technology we have brilliant solutions, even for the most difficult problems.

The GX glasswasher is the ideal undercounter model for bars, bistros and pubs. Even with very little space in the counter: the GX low body fits in! Economical, but with a large loading capacity and highest performance.



WAREWASHING

COOKING

FOOD PREPARATION

WASTE TREATMENT

SERVICE

**HOBART GMBH**

Robert-Bosch-Straße 17

77656 Offenburg/GERMANY

Phone +49(0)781.600-28 20

Fax +49(0)781.600-28 19

email: [info-export@hobart.de](mailto:info-export@hobart.de)

[www.hobart-export.com](http://www.hobart-export.com)

**EFFICIENT – RELIABLE – INNOVATIVE**

Member of the *ITW* Food Equipment Group Europe

